



38" WIDE COUNTERTOP WARMER - PASS-THROUGH - SLANTED SHELF

Model SM-3824



The BKI® SM-3824 countertop warmer features a pass-through design, a single slanted shelf, and a ceramic infrared top heat combined with base bottom heat to keep food fresh and hot for extended times.

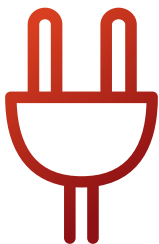
With the individual thermostatic controls for top and bottom heat, you can dial in the perfect holding temperatures for sandwiches and other grab-n-go hot food items. The controls may be positioned on either the left or right side of the warmer. (Please specify when ordering.)

The pass-through design allows for the kitchen to load fresh food easily from the back while customers can pull from the front of the warmer.

Our warmers come in a range of widths and tiers with both slanted and horizontal shelf options to meet your particular needs.

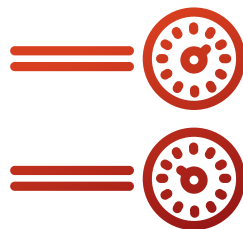
FEATURES AT A GLANCE

- 38" wide
- Top ceramic infrared heating element
- Stainless steel construction
- Pass-through for easy loading of product
- Illuminated chamber
- Assembled in USA
- Individual thermostatic control for top and bottom heat



ELECTRIC OPERATION

Energy efficiency and easy installation are a perfect pairing for your food service operation.



INDIVIDUAL TEMP. CONTROL

Individual thermostatic controls for top and bottom heat.



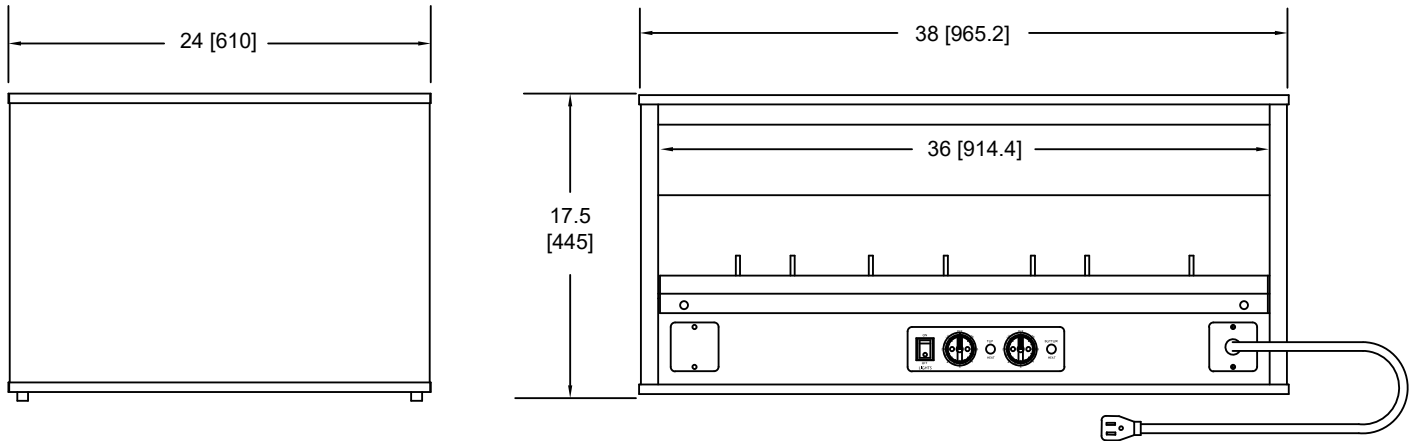
www.bkideas.com

42 Allen Martin Drive, Essex Junction, VT 05452 • Phone: (802) 658-6600 • Fax: (802) 864-0183

BK1293 Rev A (1/21)

EQUIPMENT DIMENSIONS

DIMENSIONS ARE IN INCHES [MM]



MECHANICAL SPECIFICATIONS

Dimensions	Uncrated
Height	17.5" (445 mm)
Width	38" (965 mm)
Depth	24" (610 mm)
Chute ID	36" (914 mm)
Countertop Space	6.33 sq ft (0.59 sq m)
Weight	150 lb (68 kg)

ELECTRICAL OPTIONS

Volts	Amps	Breaker	kW	Wires	Phase
120	7.13	15	.860	2	1

OPTIONS

- Direct sealed counter mount or 4" table legs
- Right or Left side mounted control panel
- Slot dividers



Visit www.bkideas.com to view all accessories available with this model.