



X-LARGE VOLUME DEEP FRYER - AUTO-LIFT -  
TOUCHPAD CONTROLS - FILTER SYSTEM - GAS OPERATION

## Model *BLG-FC*



The workhorse of fryers, this extra-large gas-operated auto-lift fryer can take natural or LP gas and is designed for simple operation, long life, and high volume. The process controls are easy to use and program for true one-touch cooking. The BKI® BLG-FC fryer cooks up to 18 lb (8.2 kg) of product in one cycle and holds 75 lb (34 kg) of oil.

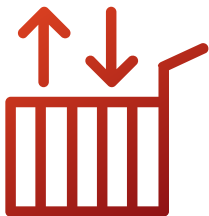
Open-vat fryers are perfect for producing extra-crispy exteriors and tender interiors on a variety of fried foods. The auto-lift basket ensures that food is removed from the oil at the precise moment it is completely cooked. The auto-lift feature also keeps employees away from hot splattering oil. Combine this fryer with a BKI warmer and your food will be hot and crispy for hours!

The amazing efficiency and fast recovery times of the BLG series gas fryers are realized by the placement of the heat exchangers completely inside the vat with oil flowing freely around them.

The semi-automatic filtration system keeps oil fresh and extends its usable life. This saves you money over the life of the fryer and keeps your food tasting consistent every time. A built-in cold zone in the vat collects breading fall-off, keeping oil fresh and clean. With the push of a button and the twist of a handle, filtering oil is easy and safe. The patented quick-disconnect allows for easy removal of the filtering vat.

### FEATURES AT A GLANCE

- 18 lb (8.2 kg) product, 75 lb (34 kg) oil capacity
- Auto-lift basket for precise cooking
- 5" casters for easy mobility
- Gas operation
- Stainless steel construction
- Microprocessor controlled for enhanced cooking capabilities
- Automatic, quick-disconnect filter system
- 100% hand built in the U.S.A.



#### AUTO-LIFT BASKET

The auto-lift basket feature pulls the product from the oil when the cook cycle is complete.



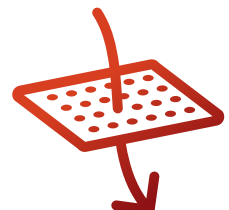
#### GAS OPERATION

Natural/LP gas is powerful and efficient with incredible recuperation times.



#### TOUCHPAD CONTROLS

Touchpad controls are easy to use and ensure menu items are perfectly cooked.



#### SEMI-AUTO FILTRATION

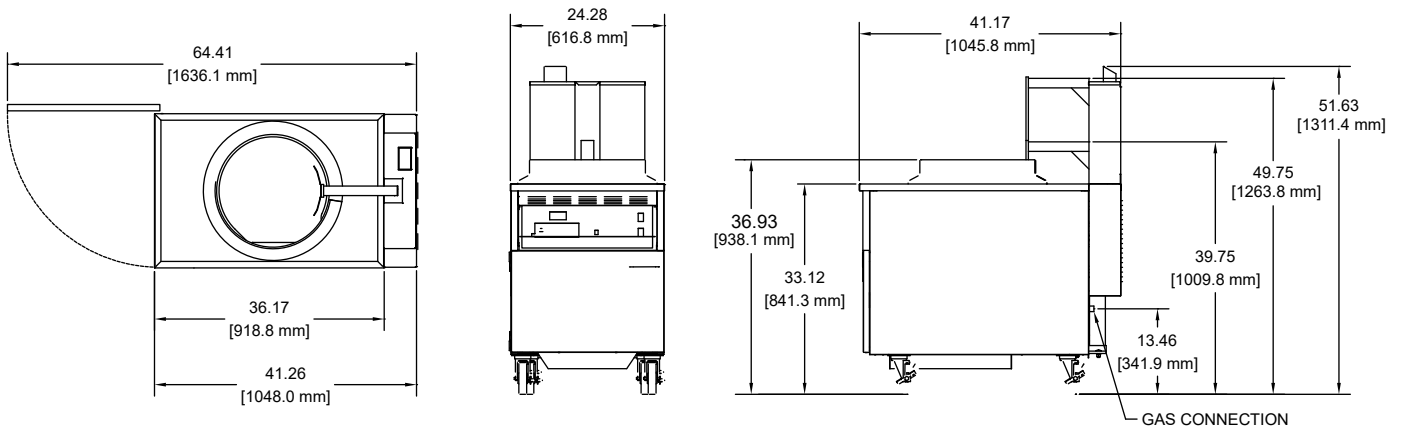
Semi-automatic filtration system filters after every batch without operator input.

[www.bkideas.com](http://www.bkideas.com)

42 Allen Martin Drive, Essex Junction, VT 05452 • Phone: (802) 658-6600 • Fax: (802) 864-0183

BK1265 Rev C (6/23)

## EQUIPMENT DIMENSIONS



## MECHANICAL SPECIFICATIONS

Dimensions	Uncrated
Height	60" (1524 mm)
Width	31" (787 mm)
Depth	45" (1143 mm)
Floor space	7.0 sq ft (.65 sq m)
Weight	405 lb (184 kg)

## CLEARANCES

Front	Sides	Rear
24"	0"	6"

## INCLUDED ACCESSORIES

- Cord Set 6', 120V
- 1 White pot scrubber brush
- 1 White drain brush
- 1 L-tipped brush
- 1 Long black brush
- 1 Short black brush
- 1 Bail handle basket
- 1 Pair 13" insulated mitts
- 5 Filter paper

## ELECTRICAL OPTIONS

Volts	Amps	kW	Wires & Grnd	Phase
120/60Hz	5.6	6	2	1

## GAS OPTIONS

	BTU/hr	Inlet Pressure
Nat or LP	70,000	MIN. 4" W.C. / MAX. 14" W.C.

## GAS CONNECTION

3/4" NPT



Visit [www.bkideas.com](http://www.bkideas.com) to view all accessories available with this model.