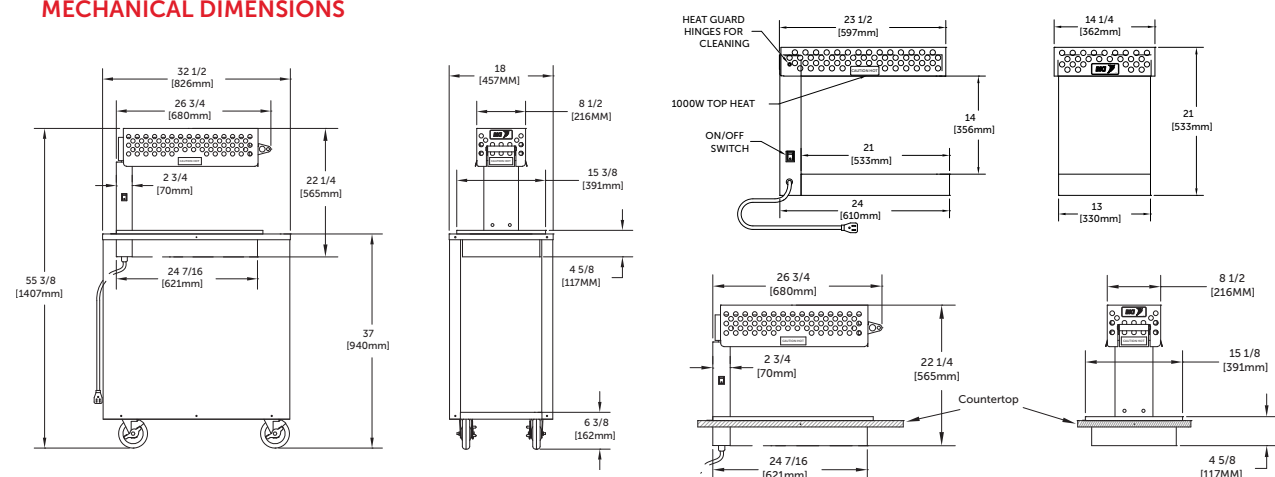




FRIED FOOD WARMERS – COUNTERTOP OR FLOOR MODEL – INFRARED HEAT

Series: WS

MECHANICAL DIMENSIONS



MECHANICAL SPECIFICATIONS

Model	Height	Width	Depth	Weight
WS-13	21" (533.4 mm)	14 1/4" (362 mm)	24" (610 mm)	35 lb (16 kg)
WS-15ST	22 1/4" (565 mm)	15 1/8" (391 mm)	26 3/4" (680 mm)	58 lb (26 kg)
WS-15STC	55 3/8" (1407 mm)	18" (457 mm)	2 1/2" (63.5 mm)	82 lb (37 kg)

ELECTRICAL SPECIFICATIONS

Model	Volts	Phase	Breaker	kW	Amps	Wires
WS-13	120	1	15	1.0	8.3	2
WS-15ST	120	1	15	1.1	9.2	2
WS-15STC	120	1	15	1.1	9.2	2



bkideas.com

© BKI LI0283C/08-06
Specifications are subject to change without notice.

BKI
42 Allen Martin Drive
Essex Junction, VT 05452
Telephone: (802) 658-6600

Visit bkideas.com to view all accessories for this model.



Fried Food Warmer Series

SERIES: WS





ELECTRIC OPERATION

Energy efficiency and easy installation are a perfect pairing for your foodservice operation.



INFRARED RADIANT HEAT

Overhead infrared radiant heat keeps fried foods crispy on the outside and moist inside.



Crispy, Tasty...

And ready to grab & go!

The BKI® WS series of fried food warmers were developed for quick serve retailers, restaurants and convenience stores. These warmers employ radiant heat to extend the freshness of a variety of fried foods, so you can keep nuggets, fingers, fries, shrimp and wedges crispy and delicious for longer.

Each unit can accommodate a full-size 12" x 20" steam table pan with 10 pounds of holding capacity. The WS-15ST models also features a rotating top that allows you to swivel the upper heating unit 90° for easier dumping and to minimize the chance of anyone getting burned. Flat surfaces and easily removable parts make cleaning a breeze.

The WS-15STC has a full cabinet and 6" casters, which makes this versatile unit a perfect choice for all your mobile warming needs.

Ready to put your best foot forward—with your tastiest food served right where your customers want it? Then you're ready for the BKI WS series of fried food warmers.



FEATURES AT A GLANCE

- 10 lb holding capacity
- Removable parts and flat surfaces for easy cleaning
- Bin accepts a 12" x 20" steam table pan
- In-counter unit
- Full cabinet with 6" casters

Call or visit our website to learn more about our innovative cooking equipment.

802.658.6600 | www.bkideas.com